

Uninterruptible Power Supply TUPS...Series TWUPS...Series

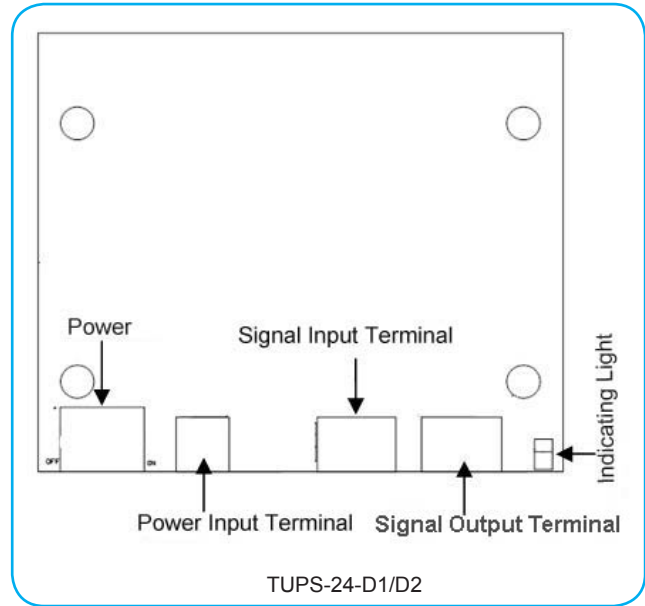
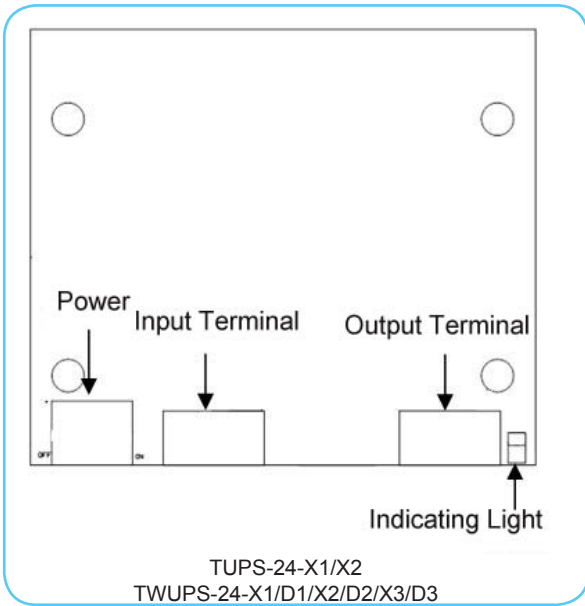
TUPS-series Uninterruptible power supply apply to temperature control of steam style lithium bromide unit , steam humidify control of air-conditioning unit, heat supply equipment, and other control systems, which is a protect device when the power supply is interrupted.

If globe valves are installed in control system, the TUPS-series Uninterruptible power supply can be used to supply enough time power supply for actuators, shut off valve and source of heat within the reset time, and protect other equipments in the same control system.

Technical Parameters

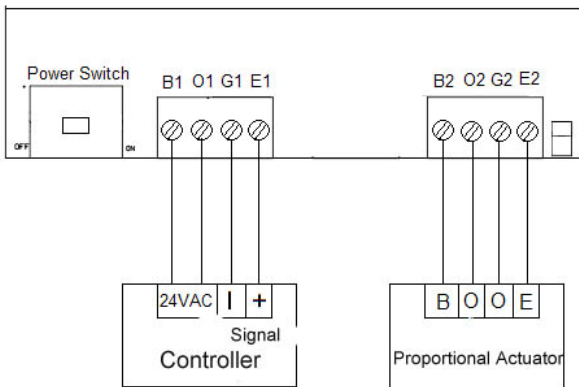
Type	TUPS-24-X1/D1	TUPS-24-X2/D2
Applicable actuator	TC500/TC1000 Series	TR1800/TR3000/TR5000 Series
Input power supply	24V±10% 50Hz/60Hz	
Reset output	24V±10% 50Hz±2	
Automatic switching time	<10ms	
Consumption	When charging≤12VA, When waiting≤3VA	
Charging time	≥15 minutes	≥25 minutes
Reset time	≥110 seconds (load current 300mA)	≥120 seconds (load current 500mA)
Operating Ambient	Temperature 0~50℃; Relative humidity 20% ~90% non-frosting	
Storage condition	Temperature -10~60℃; Relative humidity10%~80% non-frosting	

Type	TWUPS-24-X1/D1	TWUPS-24-X2/D2	TWUPS-24-X3/D3
Applicable actuator	TW10NM/TW15NM Series TW500/TW1000/TW1001 Series	TW50NM Series TW3000 Series	TW5000 Series
Input power supply	24V AC±10% 50Hz/60Hz		
Reset output	24V DC±10% 50Hz±2		
Automatic switching time	<10ms		
Consumption	When charging≤12VA, When waiting≤3VA	When charging≤17VA, When waiting≤3VA	When charging≤19VA, When waiting≤2VA
Charging time	≥15 minutes	≥15 minutes	≥20 minutes
Reset time	≥110 seconds (load current 300mA)	≥150 seconds (load current 600mA)	≥180 seconds (load current 700mA)
Operating Ambient	Temperature 0~50℃; Relative humidity 20% ~90% non-frosting		
Storage condition	Temperature -10~60℃; Relative humidity10%~80% non-frosting		

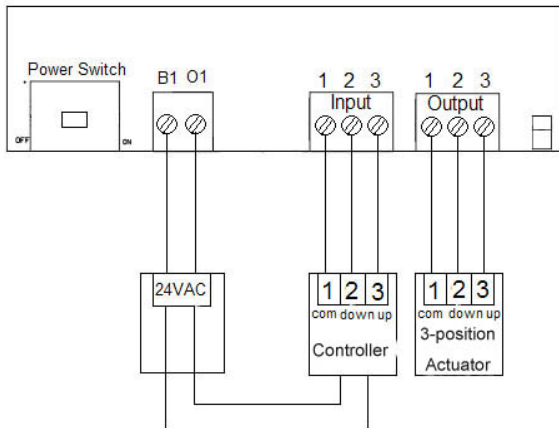


Wiring Diagram

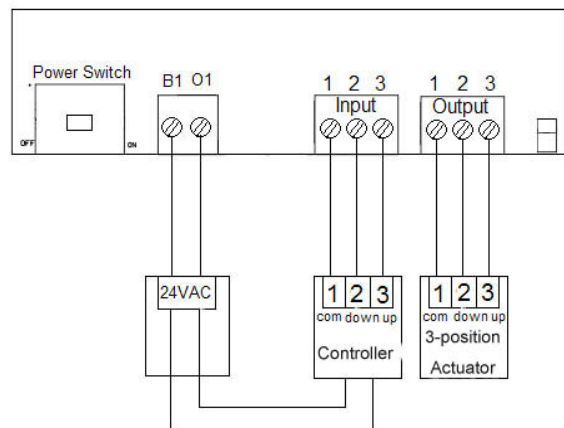
- TUPS-24-X1/X2 wiring diagram



- TUPS-24-D1/D2 wiring diagram



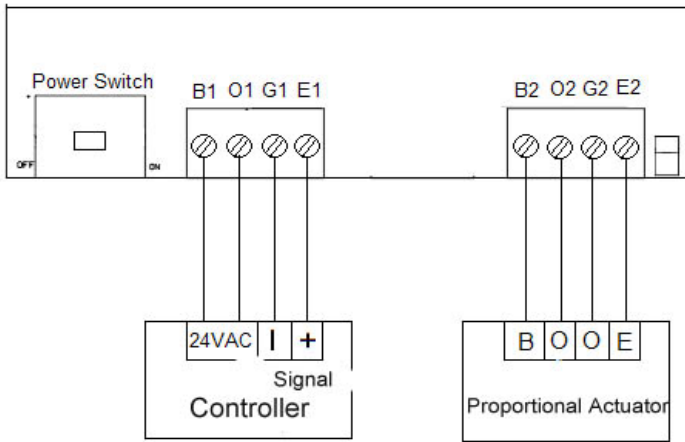
Actuator shaft runs to downward after power off



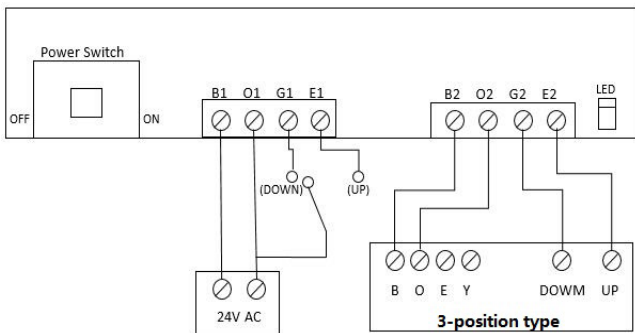
Actuator shaft runs to upward after power off

Wiring Diagram

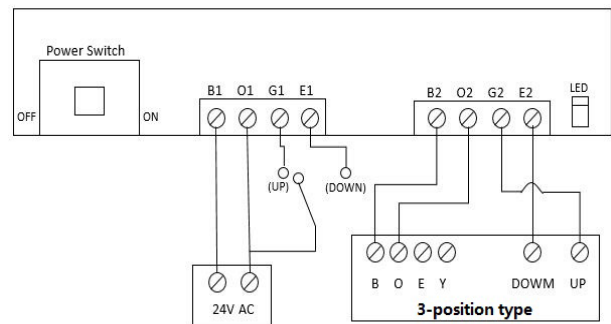
• TWUPS-24-X1/X2/X3 wiring diagram



• TWUPS-24-D1/D2/D3 wiring diagram (matched with globe valve)

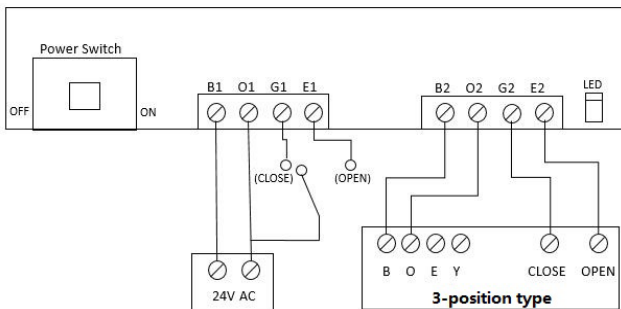


Actuator shaft runs to upwards after power failure

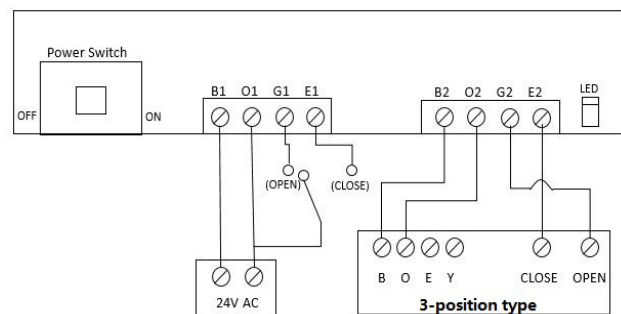


Actuator shaft runs to downwards after power failure

• TWUPS-24-D1/D2/D3 wiring diagram (matched with ball valve)



Ball valve opened after power failure



Ball valve closed after power failure

1. Wire correctly according to the wiring diagram.
2. When connect power supply, Uninterruptible power supply will keep charging and in a state standby; the indicator light turns orange. Controller transmits AC power supply and control signal to the output terminal directly. And charging Uninterruptible power supply at the same time.
3. When the Uninterruptible power supply finish changing, the indicator light turns green.
4. When power supply is interrupted, Uninterruptible power supply will automatically turn to working status, and at same time the indicator light turns red.

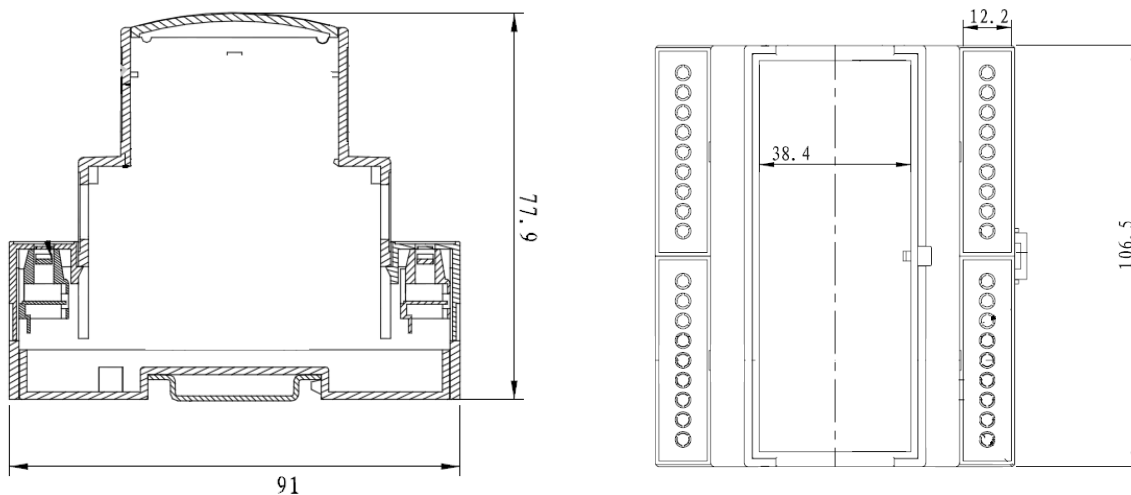
T(W)UPS-24-X... controller: it will convert the standby power to 24V AC and supply to actuator, and disconnect input signal at the same time, actuator will enter into losing signal mode at this time, reset according to the actual DIP Switch setting.

TUPS-24-D... controller: 1,2 of input terminal provide 24VAC; Actuator running direction can be controlled after power off according to different wiring, as shown in the wiring diagram.

T(W)UPS-24-D... controller: B2,O2 of input terminal provide 24VAC; Actuator running direction can be controlled after power off according to different wiring, as shown in the wiring diagram.

5. When power supply reset, the Uninterruptible power supply will automatically convert to the state of charging.

Dimension Figure



Remark: Standard guid rail cover, suitable for standard guide rail W=35.5mm

Follow the “TigerControls”WeChat Official Account



www.tiger-control.com

*Information contained in this document, such as product design, specifications, or appearance, is subject to change without notice.
This information is for reference only, please prevail in kind when buying.*

Tiger Controls